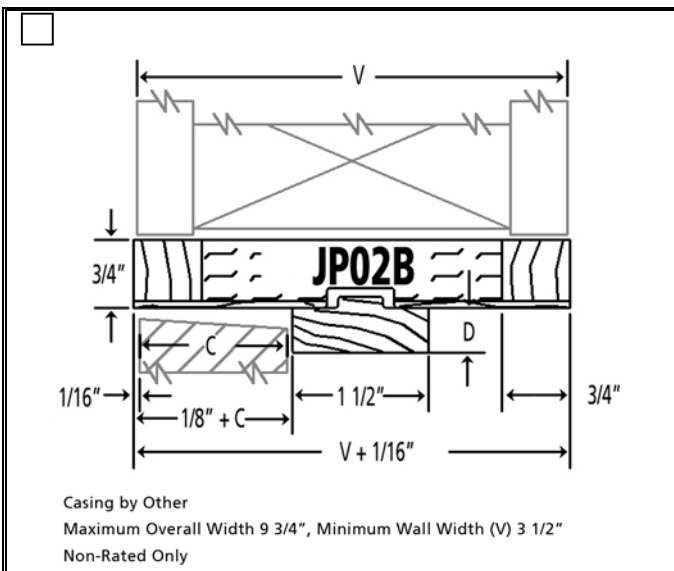
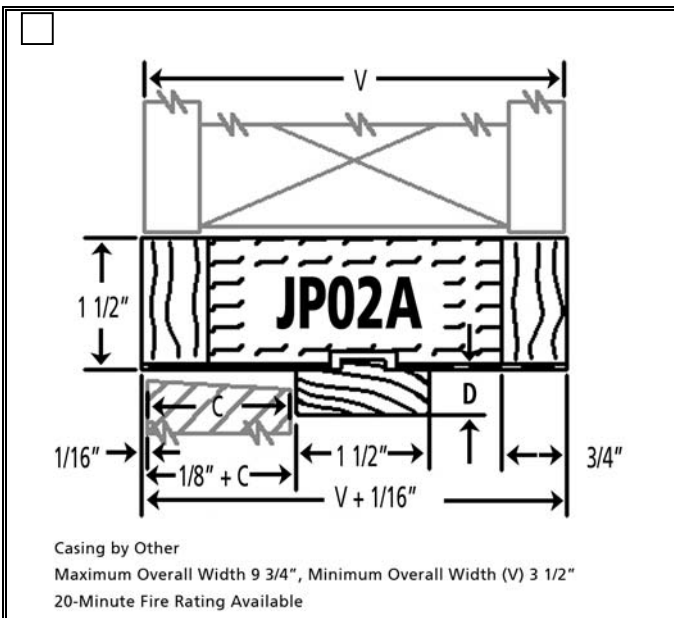
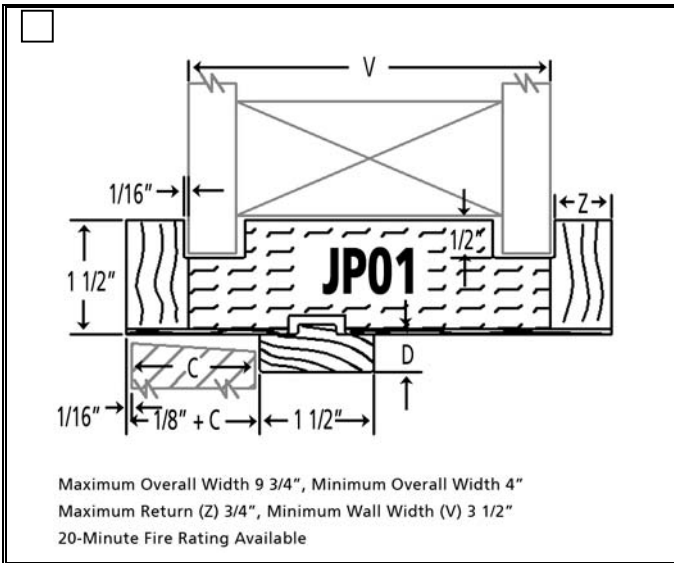


WOOD FRAME ELEVATION FE01-A



VT INDUSTRIES INC.
ARCHITECTURAL WOOD DOORS
800.827.1615
WWW.VTINDUSTRIES.COM/DOORS

1000 INDUSTRIAL PARK
P.O. BOX 490
HOLSTEIN, IA 51025



JAMB PROFILE OPTIONS

Date:	Page # /
Wood Frame Elevation:	
Job PO Number:	
Job Name:	

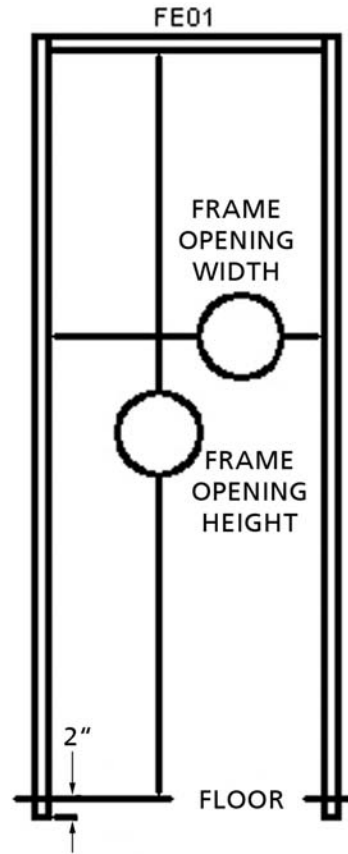
Jamb Profile:

Door Thickness (C)	Wall Depth (V)	(JP01) Return (Z)	Door Stop Height (D)	Fire Rating
			1/2"	

No Door Stop

Opening Type

<input type="checkbox"/> Single	<input type="checkbox"/> Bifold/Slider
<input type="checkbox"/> Single Egress Pair	<input type="checkbox"/> Double Egress
<input type="checkbox"/> Communicating	<input type="checkbox"/> Cased (no door in opening)



Our standard is to ship the frame legs 2" over length to be sealed and trimmed to fit in field

2" Over Length Not Required